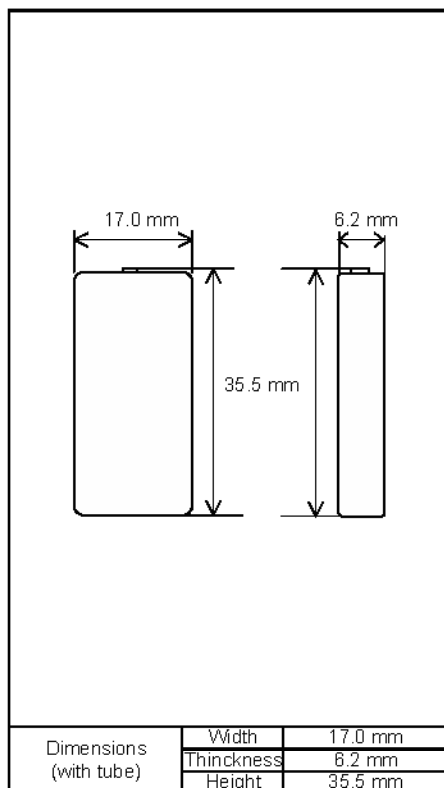


Specifications



Type : Nickel-Metal Hydride Battery		Size : C1	
Capacity ϕ	Typical	650mAh	
	Minimum	580mAh	
Nominal Voltage		1.2V	
Charging Current x Time	Fast Charge α	650 mA x about 1.1h	
Ambient Temp.	Charge Condition	Fast Charge α	
	Discharge Condition		
	Storage Condition	Less than 30days	0°C - 40°C
		Less than 90days	0°C - 50°C
Less than 1year		-20°C - 50°C	
Internal Impedance β (after discharge to E.V.=1.0V)		Approx. 30m Ω (at 1000Hz)	
Weight γ		Approx. 13 g	
Size δ : (Width) x (Thickness) x (Height)		17.0(W) x 6.2(T) x 35.5(H) mm	

1)Single cell capacity under the following condition.

Charge : 65mA \times 16h, Discharge : 130mA(E.V.=1.0V) at 20°C

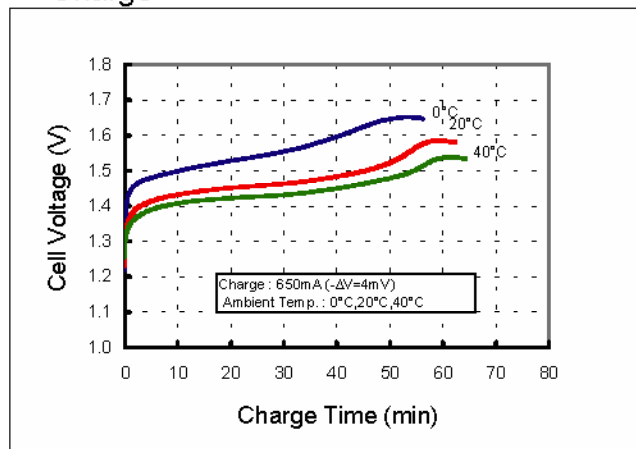
2)Use recommended charging system.

3)After a few charge and discharge cycles under the above 1) condition.

4)With tube.

Typical Characteristics

Charge



Discharge

